

WAITING ROOM

WOODEN WALL PANEL WITH SLATS AND LIGHT BEHIND

4TH Floor



www.wood-styles.com

Copyright of designs shown herein is retained by this office. Authority is required for any reproduction. © Copyright Wood-styles Ltd.

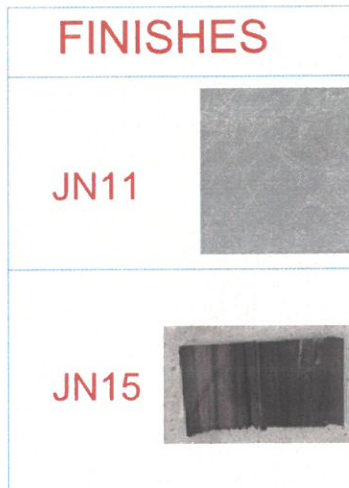
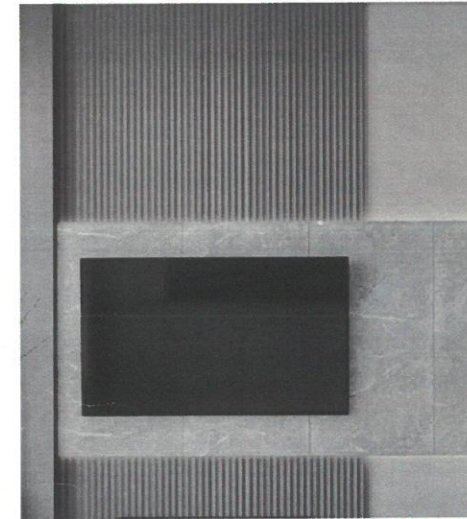
Nigeria, Lagos +234 80 9037 9888
Email: info@wood-styles.com

Project



Owner

Date	Description
DSD-V1-ID-17/11/2024 - REV1	
DSD-V1-ID-27/1/2025 - REV2	



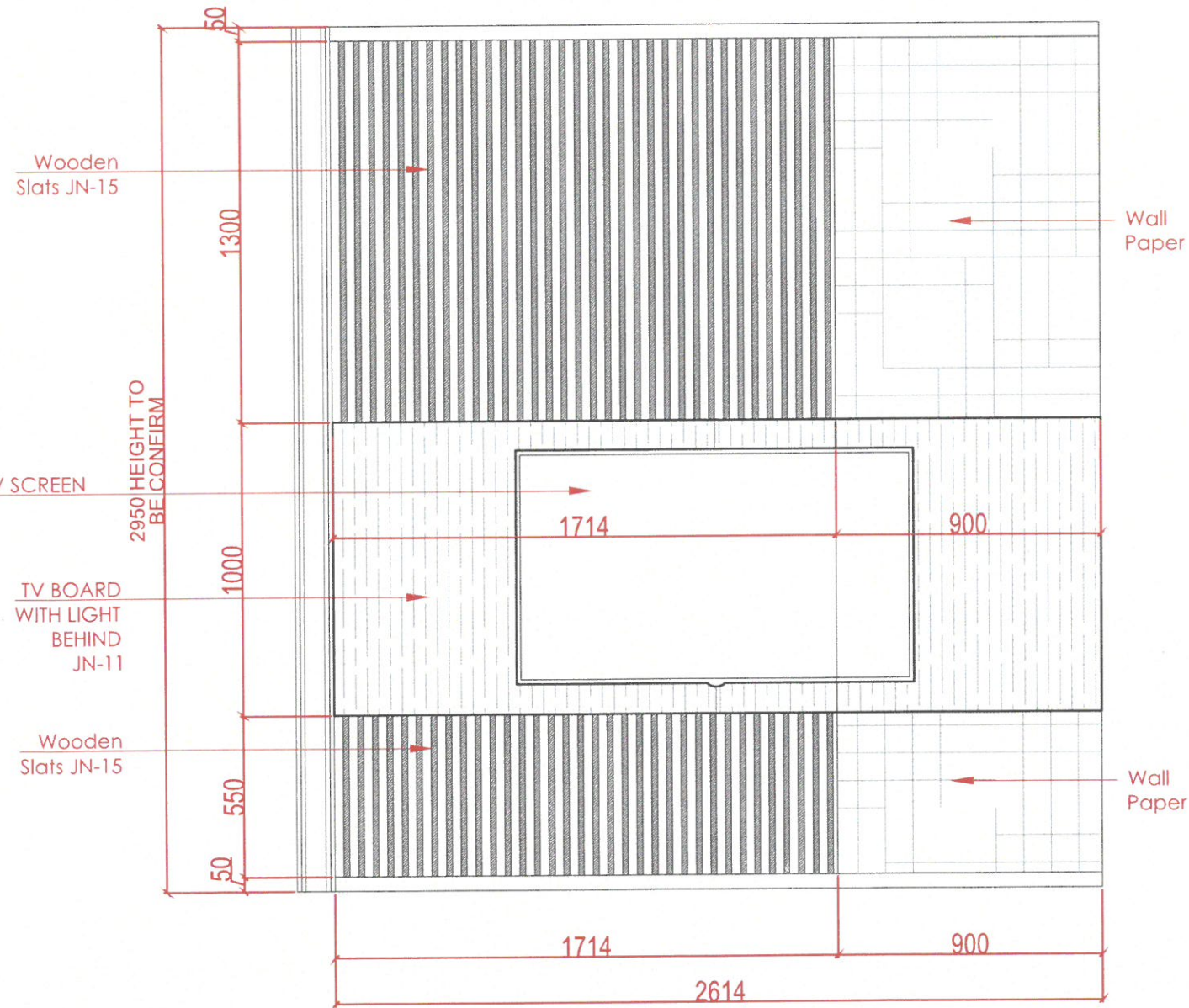
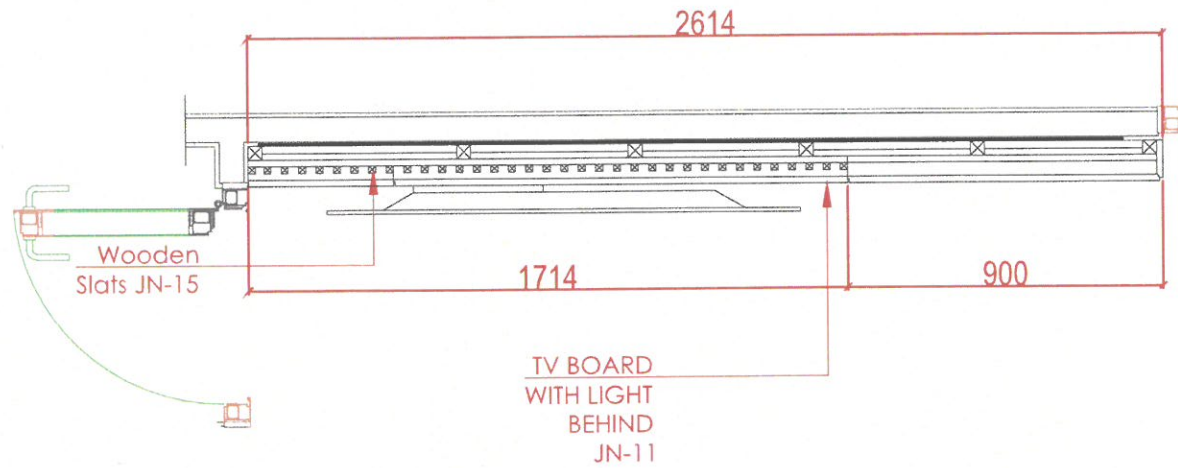
FOR APPROVAL

Project No. : ---
Scale : N/A
Drawn by : OBJ
Checked : OBJ
Cad File : CAD_FILE

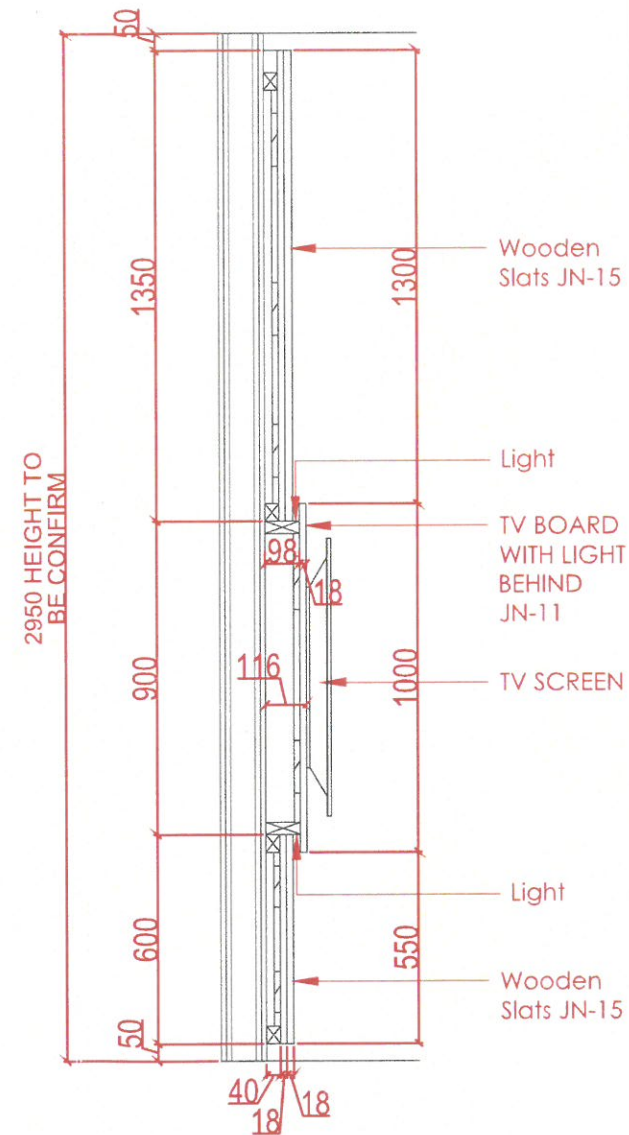
Sheet title
4TH FLOOR
WAITING ROOM
WOODEN WALL PANEL WITH SLATS AND LIGHT BEHIND

Floor Plan / Elevation / Sections

Dwg No.	No.
WS-DS-SD-ND-029	SHEET 1



Front Elevation Details



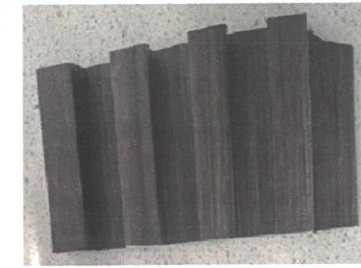
sectional details

LED LIGHT

RECEPTION AREA WOODEN CEILING WITH SLATS 4TH Floor

FINISHES

JN-14



www.wood-styles.com

Copyright of designs shown herein is retained by this office. Authority is required for any reproduction. © Copyright Wood-styles Ltd.

Nigeria, Lagos +234 80 9037 9888

Email: info@wood-styles.com

Project



Owner

Date Description
DSD-V1-ID-17/11/2024 - REV1
DSD-V1-ID-27/1/2025 - REV2



FOR APPROVAL

Project No. : --
Scale : N/A
Drawn by : OBJ
Checked : OBJ
Cad File : CAD_FILE

Sheet title
4TH FLOOR
RECEPTION AREA
WOODEN CEILING WITH SLATS

Floor Plan / Elevation / Sections

Dwg No.	No.
WS-DS-SD-ND-028	SHEET 2

